

**Oracle Utilities Customer Care and Billing
Release 2.5.0**

Utility Reference Model

4.1.1.2b CC&B-JDE Manage GL Procedures

August 2016

Copyright © 2016, Oracle and/or its affiliates. All rights reserved.

This software and related documentation are provided under a license agreement containing restrictions on use and disclosure and are protected by intellectual property laws. Except as expressly permitted in your license agreement or allowed by law, you may not use, copy, reproduce, translate, broadcast, modify, license, transmit, distribute, exhibit, perform, publish, or display any part, in any form, or by any means. Reverse engineering, disassembly, or decompilation of this software, unless required by law for interoperability, is prohibited.

The information contained herein is subject to change without notice and is not warranted to be error-free. If you find any errors, please report them to us in writing.

If this is software or related documentation that is delivered to the U.S. Government or anyone licensing it on behalf of the U.S. Government, then the following notice is applicable:

U.S. GOVERNMENT END USERS: Oracle programs, including any operating system, integrated software, any programs installed on the hardware, and/or documentation, delivered to U.S. Government end users are "commercial computer software" pursuant to the applicable Federal Acquisition Regulation and agency-specific supplemental regulations. As such, use, duplication, disclosure, modification, and adaptation of the programs, including any operating system, integrated software, any programs installed on the hardware, and/or documentation, shall be subject to license terms and license restrictions applicable to the programs. No other rights are granted to the U.S. Government.

This software or hardware is developed for general use in a variety of information management applications. It is not developed or intended for use in any inherently dangerous applications, including applications that may create a risk of personal injury. If you use this software or hardware in dangerous applications, then you shall be responsible to take all appropriate fail-safe, backup, redundancy, and other measures to ensure its safe use. Oracle Corporation and its affiliates disclaim any liability for any damages caused by use of this software or hardware in dangerous applications.

Oracle and Java are registered trademarks of Oracle and/or its affiliates. Other names may be trademarks of their respective owners.

Intel and Intel Xeon are trademarks or registered trademarks of Intel Corporation. All SPARC trademarks are used under license and are trademarks or registered trademarks of SPARC International, Inc. AMD, Opteron, the AMD logo, and the AMD Opteron logo are trademarks or registered trademarks of Advanced Micro Devices. UNIX is a registered trademark of The Open Group.

This software or hardware and documentation may provide access to or information about content, products, and services from third parties. Oracle Corporation and its affiliates are not responsible for and expressly disclaim all warranties of any kind with respect to third-party content, products, and services unless otherwise set forth in an applicable agreement between you and Oracle. Oracle Corporation and its affiliates will not be responsible for any loss, costs, or damages incurred due to your access to or use of third-party content, products, or services, except as set forth in an applicable agreement between you and Oracle.

Contents

4.1.1.2b CC&B-JDE Manage GL Procedures

4.1.1.2b CC&B-JDE Manage GL Procedures	1
Brief Description	2
Actors/Roles	2
Business Process Diagrams	3
CC&B-JDE Manage GL Procedures Process Model - Page 1	3
CC&B-JDE Manage GL Procedures Process Model - Page 2	4
CC&B-JDE Manage GL Procedures Detailed Process Model Description	5
1.0 Identify FT GL Details with No Account Number	6
1.1 Assign GL Account Number	6
1.2 Update FT GL with Account Number	6
1.3 Review Account Numbers Assigned to GL	7
1.4 Update FT GL with the Correct Account Number	7
1.5 Create GL Download Staging	7
1.6 Update FT Status to 'Distributed'	7
1.7 Identify FT GL Details Ready for Download	8
1.8 Validate Debit vs Credit Amount	8
1.9 Create Flat File to Be Interfaced to GL	8
2.0 Identify and Group FT GL Details Ready for Download	8
2.1 Transform and Format GL Data	9
2.2 Request to Create JDE Accounting Entries	9
2.3 Request CC&B Update CC&B Control Data	9
2.4 Update General Ledger Download with Completion Results	9
2.5 Log Error	10
2.6 Send Email	10
2.7 Evaluate and Correct Error	10
2.8 Add Accounting Entries in the Journal Entry Transactions Batch Table	10
2.9 Add Journal Entries in the Account Ledger	10
3.0 Correct the Account Ledger Entry	11
GL Integration Configuration	12
Oracle JD Edwards EnterpriseOne Financial Management Configuration	12
Oracle Utilities Customer Care and Billing Configuration	15
Related Training	18

4.1.1.2b CC&B-JDE Manage GL Procedures

This section provides a description of the “CC&B-JDE Manage GL Procedures” business process, including:

- ♦ [Brief Description](#)
 - ♦ [Actors/Roles](#)
- ♦ [Business Process Diagrams](#)
 - ♦ [CC&B-JDE Manage GL Procedures Process Model - Page 1](#)
 - ♦ [CC&B-JDE Manage GL Procedures Process Model - Page 2](#)
- ♦ [CC&B-JDE Manage GL Procedures Detailed Process Model Description](#)
- ♦ [GL Integration Configuration](#)
- ♦ [Related Training](#)

Brief Description

Business Process: 4.1.1.2b CC&B v2.5 CC&B-JDE Manage GL Procedures

Process Type: Sub-Process

Parent Process: 4.1.1 CC&B v2.5 Develop Financial Procedures

Sibling Processes:

- 4.2.2.2 CC&B v2.5 Manage Meter Charges
- 4.2.2.3 CC&B v2.5 Manage Item Charges
- 4.2.2.4 CC&B v2.5 Manage External and Miscellaneous Charges
- 4.2.2.5 CC&B v2.5 Manage Loan Charges
- 4.2.2.6 CC&B v2.5 Manage Deposit Charges
- 4.3.1.1 CC&B v2.5 Manage Payments

This document describes the process that takes place after various Financial Transactions are generated as a result of Billing, Payments or any other financial activity in CC&B and are required to be posted in the company's General Ledger, being maintained through Oracle JD Edwards EnterpriseOne Financial Management.

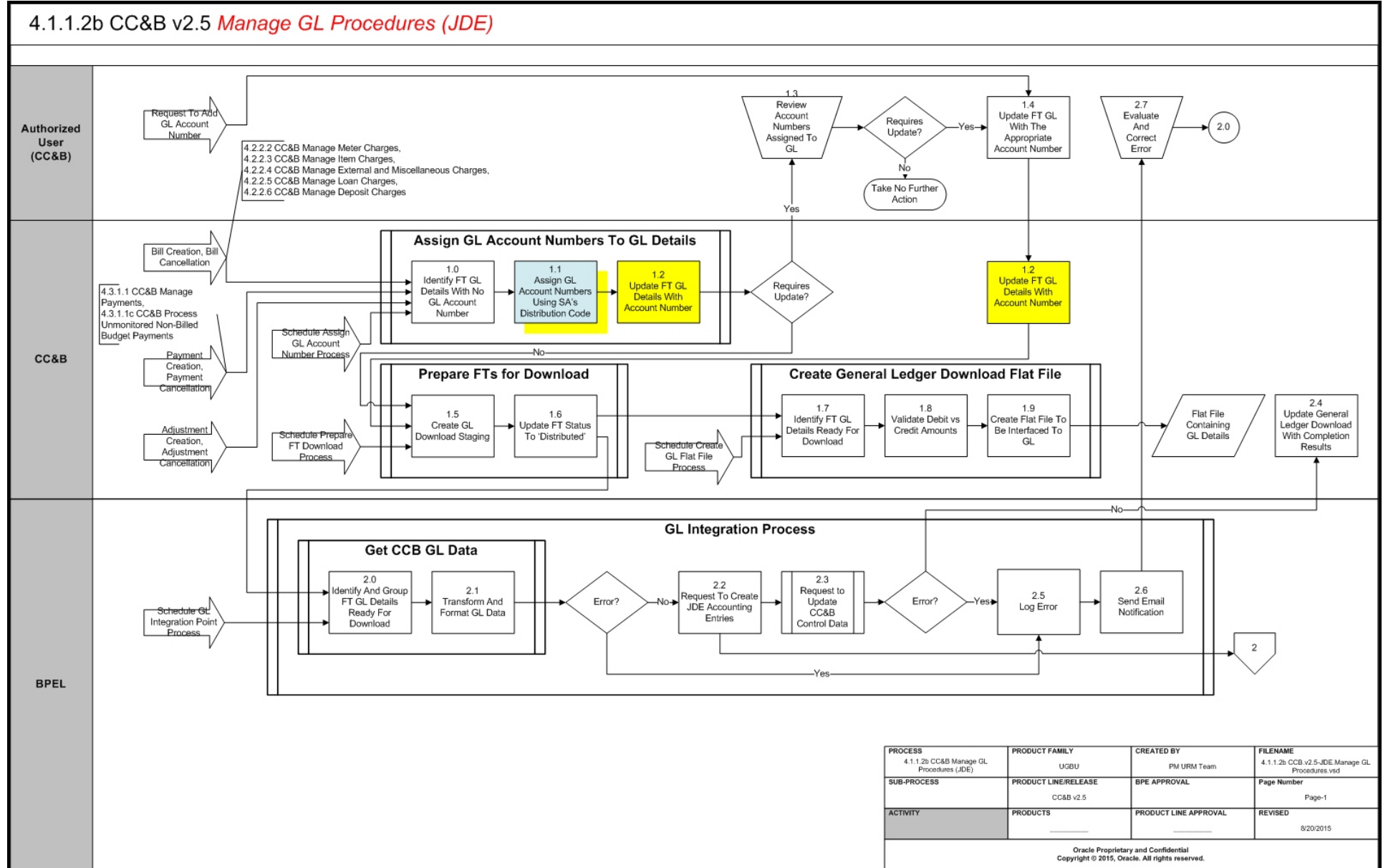
Actors/Roles

The CC&B-JDE Manage GL Procedures business process involves the following actors and roles:

- **CC&B:** The Customer Care and Billing application. Steps performed by this actor/role are performed automatically by the application, without the need for user initiation or intervention.
- **BPEL:** Oracle Fusion middleware product, that manages cross-application business processes and coordinates the data flow and data mapping of the integration.
- **Authorized User (CCB):** CSR or Authorized User of the Customer Care and Billing application.
- **JDE:** Oracle JD Edwards Financials for General Ledger and Accounts Payable.
- **Authorized User (JDE):** Authorized User of Oracle JD Edwards Financials for General Ledger and Accounts Payable.

Business Process Diagrams

CC&B-JDE Manage GL Procedures Process Model - Page 1

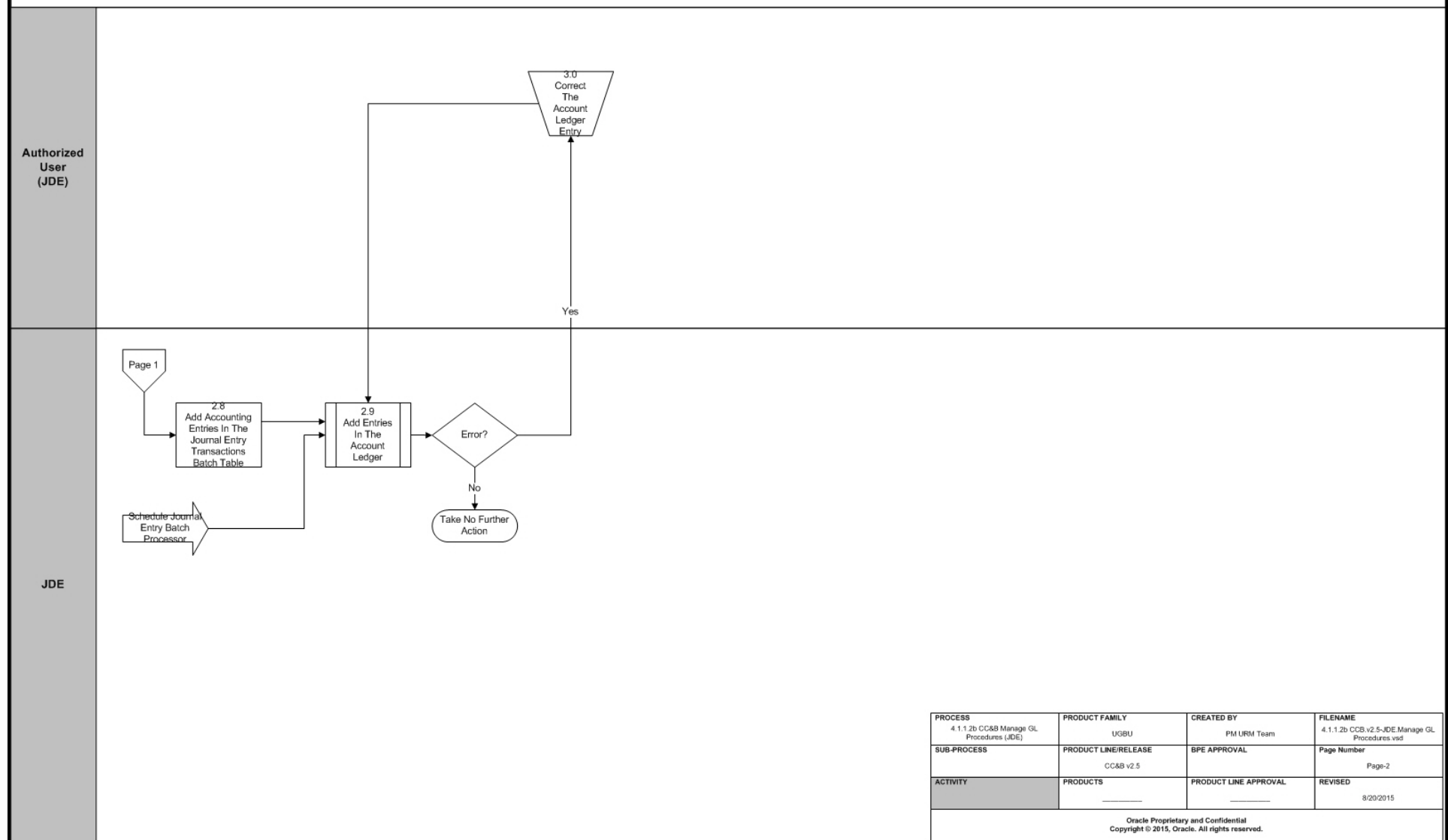


PROCESS	PRODUCT FAMILY	CREATED BY	FILENAME
4.1.1.2b CC&B Manage GL Procedures (JDE)	UGBU	PM URM Team	4.1.1.2b CC&B v2.5-JDE Manage GL Procedures.vsd
SUB-PROCESS	PRODUCT LINE/RELEASE	BPE APPROVAL	Page Number
	CC&B v2.5		Page-1
ACTIVITY	PRODUCTS	PRODUCT LINE APPROVAL	REVISED
			9/20/2015

Oracle Proprietary and Confidential
Copyright © 2015, Oracle. All rights reserved.

CC&B-JDE Manage GL Procedures Process Model - Page 2

4.1.1.2b CC&B v2.5 *Manage GL Procedures (JDE)*



PROCESS 4.1.1.2b CC&B Manage GL Procedures (JDE)	PRODUCT FAMILY UGBU	CREATED BY PM URM Team	FILENAME 4.1.1.2b CCB.v2.5-JDE.Manage GL Procedures vnsd
SUB-PROCESS	PRODUCT LINE/RELEASE CC&B v2.5	BPE APPROVAL	Page Number Page-2
ACTIVITY	PRODUCTS	PRODUCT LINE APPROVAL	REVISED 8/20/2015

Oracle Proprietary and Confidential
Copyright © 2015, Oracle. All rights reserved.

CC&B-JDE Manage GL Procedures Detailed Process Model Description

This section provides a detailed description of the “CC&B-JDE Manage GL Procedures” business process, including:

- ♦ 1.0 Identify FT GL Details with No Account Number
- ♦ 1.1 Assign GL Account Number
- ♦ 1.2 Update FT GL with Account Number
- ♦ 1.3 Review Account Numbers Assigned to GL
- ♦ 1.4 Update FT GL with the Correct Account Number
- ♦ 1.5 Create GL Download Staging
- ♦ 1.6 Update FT Status to ‘Distributed’
- ♦ 1.7 Identify FT GL Details Ready for Download
- ♦ 1.8 Validate Debit vs Credit Amount
- ♦ 1.9 Create Flat File to Be Interfaced to GL
- ♦ 2.0 Identify and Group FT GL Details Ready for Download
- ♦ 2.1 Transform and Format GL Data
- ♦ 2.2 Request to Create JDE Accounting Entries
- ♦ 2.3 Request CC&B Update CC&B Control Data
- ♦ 2.4 Update General Ledger Download with Completion Results
- ♦ 2.5 Log Error
- ♦ 2.6 Send Email
- ♦ 2.7 Evaluate and Correct Error
- ♦ 2.8 Add Accounting Entries in the Journal Entry Transactions Batch Table
- ♦ 2.9 Add Journal Entries in the Account Ledger
- ♦ 3.0 Correct the Account Ledger Entry

1.0 Identify FT GL Details with No Account Number

Reference: [CC&B-JDE Manage GL Procedures Process Model - Page 1 on page 3](#) for the business process diagram associated with this activity.

Group: Assign GL Account Numbers to GL Details

Actor/Role: CC&B

Description: As a result of any bills, adjustments, or payments made, Financial Transactions are created. Each of the Financial Transaction associated to the sibling process has its own GL details.

The first step is to select GL details with no account numbers.

Process Names

- GLASSIGN - Populates GL_ACCT on CI_FT_GL

1.1 Assign GL Account Number

Reference: [CC&B-JDE Manage GL Procedures Process Model - Page 1 on page 3](#) for the business process diagram associated with this activity.

Group: Assign GL Account Numbers to GL Details

Actor/Role: CC&B

Description: Each of the generated FT GL references a Distribution Code. And every Distribution Code references a GL assignment algorithm. The default is to use the GL Account associated with the Distribution Code.

The first step is to select GL details with no account numbers.

Entities to Configure

- SA Type
- Distribution Code

Available Algorithms

- FGLCNSTR-D - Returns GL account defined on Dist Code Table

Process Names

- GLASSIGN - Populates GL_ACCT on CI_FT_GL

1.2 Update FT GL with Account Number

Reference: [CC&B-JDE Manage GL Procedures Process Model - Page 1 on page 3](#) for the business process diagram associated with this activity.

Group: Assign GL Account Numbers to GL Details

Actor/Role: CC&B

Description: This step is executed manually or automatically. The GL details are updated with the appropriate account number.

Process Names

- GLASSIGN - Populates GL_ACCT on CI_FT_GL

1.3 Review Account Numbers Assigned to GL

Reference: [CC&B-JDE Manage GL Procedures Process Model - Page 1 on page 3](#) for the business process diagram associated with this activity.

Actor/Role: CSR or Authorized User (CC&B)

Description: Although GL Account Numbers are automatically assigned, the CSR or Authorized User reviews the FT GL details and identifies the need to override the assigned account number, in cases of exceptions or for control purposes.

1.4 Update FT GL with the Correct Account Number

Reference: [CC&B-JDE Manage GL Procedures Process Model - Page 1 on page 3](#) for the business process diagram associated with this activity.

Actor/Role: CSR or Authorized User (CC&B)

Description: CSR or Authorized User updates the FT GL with a new Account Number, if required.

1.5 Create GL Download Staging

Reference: [CC&B-JDE Manage GL Procedures Process Model - Page 1 on page 3](#) for the business process diagram associated with this activity.

Group: Prepare FTs for Download

Actor/Role: CC&B

Description: The process selects all FT GL records that: has Distribution Dates within the date that this process is executed, has a financial transaction status of either 'Generated' or 'Modified' and has GL account numbers. Each of the select FT GL detail is added in the staging table for download. And each of the download staging record is stamped with a batch process ID and run number.

Entities to Configure

- Installation Options - Financial

Process Names

- GLS - Create GL download staging

1.6 Update FT Status to 'Distributed'

Reference: [CC&B-JDE Manage GL Procedures Process Model - Page 1 on page 3](#) for the business process diagram associated with this activity.

Group: Prepare FTs for Download

Actor/Role: CC&B

Description: The process updates the Financial Transaction to 'Distributed' status. At this point, no updates can be made to the FT GL details.

Entities to Configure

- GLS - Create GL download staging

1.7 Identify FT GL Details Ready for Download

Reference: [CC&B-JDE Manage GL Procedures Process Model - Page 1 on page 3](#) for the business process diagram associated with this activity.

Group: Create General Ledger Download Flat File

Actor/Role: CC&B

Description: All records in the staging table ready for download are selected for processing.

Process Names

- GLDL - GL download extract

1.8 Validate Debit vs Credit Amount

Reference: [CC&B-JDE Manage GL Procedures Process Model - Page 1 on page 3](#) for the business process diagram associated with this activity.

Group: Create General Ledger Download Flat File

Actor/Role: CC&B

Description: Extra validation is performed to ensure that the Debit and Credit amounts match.

Note: It is very rare that this process results in an error. If error occurs, the CSR or Authorized User evaluates and resolves the error.

Process Names

- GLDL - GL download extract

1.9 Create Flat File to Be Interfaced to GL

Reference: [CC&B-JDE Manage GL Procedures Process Model - Page 1 on page 3](#) for the business process diagram associated with this activity.

Group: Create General Ledger Download Flat File

Actor/Role: CC&B

Description: At the end of the process, a flat file is created.

Process Names

- GLDL - GL download extract

2.0 Identify and Group FT GL Details Ready for Download

Reference: [CC&B-JDE Manage GL Procedures Process Model - Page 1 on page 3](#) for the business process diagram associated with this activity.

Group: Get CC&B GL Data

Actor/Role: BPEL

Description: The first task in the GL Integration is to extract all FT GL Data generated by CC&B. These are data stored in the FT GL Download staging table as a result of running CC&B process GLS. This process reads the CC&B Batch Job Table to check for the latest Batch Job ID and Batch Job Status and this will be the criteria in selecting the FT GL data to process.

Process Names

- GetCCBGLData

2.1 Transform and Format GL Data

Reference: [CC&B-JDE Manage GL Procedures Process Model - Page 1 on page 3](#) for the business process diagram associated with this activity.

Group: Get CC&B GL Data

Actor/Role: BPEL

Description: The extracted FTs are consolidated and transformed into the GL Data format based on the mapping XSLT.

Note: It is important for both CC&B and JD Edwards EnterpriseOne Financial Management to have been initially configured for the integration to be successful. Please refer to attachment for required configuration.

Process Names

- GetCCBGLData

2.2 Request to Create JDE Accounting Entries

Reference: [CC&B-JDE Manage GL Procedures Process Model - Page 1 on page 3](#) for the business process diagram associated with this activity.

Group: GL Integration Process

Actor/Role: BPEL

Description: If no exceptions occur during data translation, BPEL loads the formatted GL data into the JD Edwards Journal Entry Transactions Batch Table (F0911Z1).

Process Names

- CCBToJDEGLBPELProcess

2.3 Request CC&B Update CC&B Control Data

Reference: [CC&B-JDE Manage GL Procedures Process Model - Page 1 on page 3](#) for the business process diagram associated with this activity.

Group: GL Integration Process

Actor/Role: BPEL

Description: BPEL updates the CC&B Batch Run Number to indicate that the FT GL Data have been extracted and loaded to JD Edwards successfully.

Process Names

- CCBToJDEGLBPELProcess

2.4 Update General Ledger Download with Completion Results

Reference: [CC&B-JDE Manage GL Procedures Process Model - Page 1 on page 3](#) for the business process diagram associated with this activity.

Actor/Role: CC&B

Description: Batch Run Number is updated for the GL Download Batch Process and this will be stamped on the next set of GL Details to be downloaded.

2.5 Log Error

Reference: [CC&B-JDE Manage GL Procedures Process Model - Page 1 on page 3](#) for the business process diagram associated with this activity.

Group: GL Integration Process

Actor/Role: BPEL

Description: If errors occur during extraction of the Financial Transactions from Oracle Utilities Customer Care and Billing tables or during loading these transactions into Oracle JD Edwards EnterpriseOne Financial Management table, BPEL inserts the error into an error log table.

Process Names

- CCBToJDEGLBPELProcess

2.6 Send Email

Reference: [CC&B-JDE Manage GL Procedures Process Model - Page 1 on page 3](#) for the business process diagram associated with this activity.

Group: GL Integration Process

Actor/Role: BPEL

Description: Error notification process, if configured, will notify users by email of an error and the details associated with that error condition.

Note: No user interface is currently provided for the Error Log Table.

Process Names

- CCBToJDEGLBPELProcess

2.7 Evaluate and Correct Error

Reference: [CC&B-JDE Manage GL Procedures Process Model - Page 1 on page 3](#) for the business process diagram associated with this activity.

Actor/Role: CSR or Authorized User (CC&B)

Description: The recipient of the email looks through the information sent in the email detailing the records with error. Error correction is done manually.

2.8 Add Accounting Entries in the Journal Entry Transactions Batch Table

Reference: [CC&B-JDE Manage GL Procedures Process Model - Page 2 on page 4](#) for the business process diagram associated with this activity.

Actor/Role: JD Edwards

Description: Data processed by BPEL is added in the Journal Entry Batch Table. This is the table that holds all accounting data imported from other systems into JD Edwards EnterpriseOne Financial Management GL.

2.9 Add Journal Entries in the Account Ledger

Reference: [CC&B-JDE Manage GL Procedures Process Model - Page 1 on page 3](#) for the business process diagram associated with this activity.

Group: Journal Entry Batch Processor

Actor/Role: JD Edwards

Description: This process validates and converts the import data into Journal Entries within the GL application.

Note: This process may be invoked manually or by using the JD Edwards EnterpriseOne Financial Management process scheduler.

Process Names

- R09110Z

3.0 Correct the Account Ledger Entry

Reference: [CC&B-JDE Manage GL Procedures Process Model - Page 2 on page 4](#) for the business process diagram associated with this activity.

Actor/Role: CSR or Authorized User (JDE)

Description: CSR or Authorized user manually corrects the entries not successfully in the Account Ledger table and reruns the Journal Entry Batch Processor.

GL Integration Configuration

The integration between Oracle Utilities Customer Care and Billing and Oracle JD Edward EnterpriseOne Financial Management incorporates three integration points to facilitate transfer of information between the two applications. Configuration must be completed for all involved products to prepare the integration product for use.

The following sections describe how to configure each area for each integration point.

The GL Integration Configuration process consists of the following:

- [Oracle JD Edwards EnterpriseOne Financial Management Configuration](#)
- [Oracle Utilities Customer Care and Billing Configuration](#)

Oracle JD Edwards EnterpriseOne Financial Management Configuration

This configuration consists of the following.

GL Integration Point

To enable this integration point you must configure the following information in Oracle JD Edwards EnterpriseOne Financial Management.

Configuring Date Pattern

To enable this integration point you must configure the following information in Oracle JD Edwards EnterpriseOne Financial Management.

Create Date Pattern or use an existing pattern for the appropriate Year The date Pattern must be configured and attached to the Company

Field Label	Example Values	Comments
Date Fiscal year begins	01/01/2008	Provides information about when the fiscal year begins for the Date Pattern
Period End Date (1)	01/31/2008	Period-January
Period End Date (2)	02/29/2008	There will be 12 periods, enter End Date starting from Period 1 (January) to Period 12 (December)
Period End Date (3)	03/31/2008	Period-March
Period End Date (12)	12/31/2008	Period-December

Configuring Company

Create a Company and attach the Date Pattern created above. The JDE Architecture requires that you - Create a Company, attach a Business Unit to the company and attach Accounts to the Business Unit.

EnterpriseOne Menus - Financials - General Accounting - General Accounting System Setup-Organization & Account Setup - Company Names & numbers

Field Label	Example Values	Comments
Company	45013	Company Number
Name	CCB Oracle Company	Name of the company
General Accounting - Fiscal Date Pattern	R	Date Pattern from Jan 31 to Dec 31

Field Label	Example Values	Comments
General Accounting - Number of Periods	12	How many periods you use
General Accounting - Current Period	7	Current Period of the calendar for GL
General Accounting - Beginning of Fiscal Year	1/1/2008	Beginning of Fiscal Year - GL
Accounts Payable - Current Period	7	Current Period of the calendar for the AP
Accounts Payable - Beginning of Fiscal Year	1/1/2008	Beginning of Fiscal year - AP
Accounts Receivable - Current Period	7	Current period of the calendar for AR
Accounts Receivable - Beginning of Fiscal Year	1/1/2008	Beginning of Fiscal Year - AR
Financial Reporting - Reporting Period	1	Reporting period of the company
Financial Reporting - Reporting Year	8	Reporting year of the company
52 Period Accounting Tab		
52 Period Accounting - 52 Period normal number of periods	52	52 period calendar
Currency Tab		
Domestic Currency	USD	US Dollars

Configuring Address Number for Business Unit

Business Unit requires an Address Number. While creating a Business Unit, attach the address number in the Business Unit Creation process.

EnterpriseOne Menus - Foundation Systems - Address Book - Daily Processing - Address Book Revision

Field Label	Example Values	Comments
Alpha Name	CCB GL Business Unit	Business Unit Name
Long Address Number	CCBBU	Alternate Address Key
Search Type	F	Facility
Business Unit	US1	Address Number Belong to Business Unit
Mailing Name	CCB GL Business Unit	Mailing Address
Address Line 1	500 Oracle Parkway	Mailing Address
City	Redwood City	Mailing City
State	CA	Mailing State

Field Label	Example Values	Comments
Postal Code	94065	Mailing Postal Code
Country	US	Mailing Country

Configuring Business Unit

Create a Business Unit and attach the Address Number created above.

EnterpriseOne Menus - Financials - General Accounting - General Accounting System Setup - Organization & Account Setup - Review and Revise Business Unit

Field Label	Example Values	Comments
Business Unit	US1	Created Business Unit US1
Revise Single BU Tab		
Description	CCB GL Business Unit	Description of the Business Unit
Company	45013	Attach the company to which this Business Unit belongs
Level of Detail	5	Level of Detail of the Business Unit
Business Unit Type	IS	Income Statement Business Unit
Sub Ledger Inactive Code	NULL	Active Sub ledger triggered for the Business Unit
Model Account/Consolid.	NULL	Non-Model Consolidation
More Detail Tab		
Address Number	54615	Address Number of Business Unit created using P01012

Configuring Chart of Accounts

Create accounts and attach the accounts to the Business Unit. GL Accounts corresponding to all the possible Distribution Codes that may show up on GL transactions in Oracle Utilities Customer Care and Billing should be setup in JD Edwards EnterpriseOne. The GL Accounts in Oracle Utilities Customer Care and Billing should match with the Chart of Accounts in JD Edwards. For example if the GL account for Distribution code 'A/P Ovpv' is 1111.1000 in Oracle Utilities Customer Care and Billing with GL Division of US1, JD Edwards should have an account where Business Unit = 'US1', Object Account = '1111' and Subsidiary = '0000'. In case the Subsidiary is not being used in JD Edwards and the GL Account in Oracle Utilities Customer Care and Billing is 2000, JD Edwards should have an account where Business Unit = 'US1', Object Account = '2000'.

EnterpriseOne Menus - Financials - General Accounting - General Accounting System Setup - Organization & Account Setup - Review and Revise Accounts

Field Label	Example Values	Comments
Account Number	Keep as Null	Account number will be created at run time.
Revise Single Account Tab		

Field Label	Example Values	Comments
Business Unit/Object/ Subsidiary	US1.1110.CCB	Account structure is Business Unit. Object Account.Subsidiary
Description	CCB AP OVPY	Description of the Account
Account Level of Detail	6	Account Level of Detail
Posting Edit	Null	Allows Posting
Currency Code	USD	Currency code for the Account

Configuring JD Edwards Unit of Measure

Associate CCB Statistics Code values to JDE Units of measure. Identify the unique values of Statistics codes and set them up as JDE Units of measure. The JDE Unit of measure length is String(2). The Customer Care and Billing Statistics code value is Char (8). Due to this length constraint, the Customer Care and Billing Statistics Codes should be set to a length of 2. You must manually synchronize the Customer Care and Billing (Statistics Codes) and the JDE (Units of Measure) values.

EnterpriseOne Menus - Financials - Accounts Payable - User Defined Codes

Field Label	Example Values	Comments
UCD 00/UM (Product Code/User Defined Code)		
Codes	CF	This value must be manually synchronized with the CCB Statistics Code.
Description	Cubic Feet	
Codes	TH	This value must be manually synchronized with the CCB Statistics Code.
Description	Thermal	
Codes	KH	This value must be manually synchronzied with the CCB Statistics Code.
Description	Kilowatt Hour	

Oracle Utilities Customer Care and Billing Configuration

To configure the Oracle Utilities Customer Care and Billing portion of the integration, define the settings for all three integration points.

GL Integration Point

To enable this integration point you must configure the following information in Oracle Utilities Customer Care and Billing.

Configuring GL Division

You must map your GL Division in Oracle Utilities Customer Care and Billing to the GL Business Unit in Oracle JD Edwards EnterpriseOne Financial Management GL Business Unit. To do this you should first find out what GL Business Units you will be using within the GL. Then create GL Divisions in Oracle Utilities Customer Care and Billing to match these exactly.

You can then associate these GL Divisions with the appropriate Service Agreement Types in Oracle Utilities Customer Care and Billing.

Configuring Distribution Codes

You must map your distribution codes in Oracle Utilities Customer Care and Billing with the appropriate GL Accounts in the Oracle JD Edwards EnterpriseOne Financial Management GL. First configure the distribution codes and then assign them to various entities within the Oracle Utilities Customer Care and Billing applications.

Oracle JD Edwards EnterpriseOne Financial Management GL accounts is structured using the Business Unit, Object Account code and Subsidiary code. These are set up in your existing Oracle JD Edwards EnterpriseOne Financial Management configuration according to your business practices. Oracle Utilities Customer Care and Billing distribution codes must be configured to mirror the segments in Oracle JD Edwards EnterpriseOne Financial Management. The segment positions in Oracle Utilities Customer Care and Billing are dot '.' separated so that the first segment is the Object Account, and the second segment is the Subsidiary as shown in the following table:

Oracle JD Edwards EnterpriseOne Financial Management Account Column name	Oracle Utilities Customer Care and Billing Distribution (GL_ACCT) segment position
OBJ	Position1
SUB	Position2

* Use a dot (.) as the delimiter to indicate a break between positions.

A sample GL Account string is 202000.10000.

When interpreted by the standard mapping in the product this GL Account String in the sub ledger equates to the following in the Oracle JD Edwards EnterpriseOne Financial Management GL:

- Object Account 202000
- Subsidiary 10000

Note: The GL Division is mapped to Business Unit in Oracle JD Edwards Chart of Accounts. Example:

Field Label	Value	Comments
Distribution Code	Example: R - ELERES	The distribution code to be used for financial transactions of a certain type.
Description	Example: Revenue - Electric - Residential	A description of how the distribution code is used.
GL Account Algorithm	C1-GLCNSTR-D	The standard product or customer modified algorithm you use for determining the GL Account String from the distribution code.
GL Account Details	1 of 1	Create at least one set of account details as needed by your chosen algorithm above. Only one will be used based on status and effective date.

Field Label	Value	Comments
Effective Date	01-01-1900	The date you wish the following GL Account string to become active and used by the system, and therefore the integration software.
Status	Active	Only active status accounts will be used by the product and therefore the integration.
GL Account	202000.10000.	Input the GL Account String as explained above.

Note: Only fields relevant to the integration are included in this table.

Configuring GLASSIGN, and GLS for Oracle Utilities Customer Care and Billing Extract

To successfully execute extracts from Oracle Utilities Customer Care and Billing, two processes must be configured with the appropriate batch parameters and set to run on a scheduled basis. These processes can be scheduled using the Oracle Utilities Customer Care and Billing scheduling tool or an enterprise scheduler that meets the open architecture standards used by Oracle Utilities Customer Care and Billing.

Related Training

The following User Productivity Kit (UPK) modules provide training related to this business process:

- Oracle Utilities UPK for Customer Care and Billing, Administrative Setup
- Oracle Utilities UPK for Customer Care and Billing, User Tasks
- Oracle Utilities UPK for Customer Care and Billing, Credit and Collections
- Oracle Utilities UPK for Customer Care and Billing, Rating and Billing
- Oracle Utilities UPK for Customer Care and Billing, Rating and Billing for Interval Data